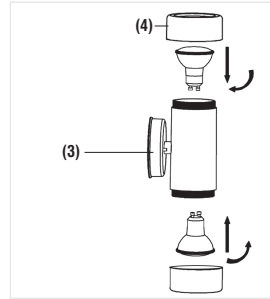


## Commissioning

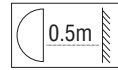
- **Diagram C.** Place the fitting over the back plate, ensuring that the bolts in the back plate are aligned with the holes in the front of the fitting. Replace the domed nuts **(3)** to secure the fitting. Do not over tighten.
- Fit the appropriate bulbs into the lamp holders **NOTE: Never fit bulbs of a higher wattage than specified on the label (as this may cause overheating and damage the fitting).**
- Replace the bulb covers **(4)**.
- Replace fuse or circuit breaker and switch on. Your light is now ready for use.

Diagram C.



## Fitting/replacing bulbs: Max. 7W LED GU10

- This fitting has been designed to use energy efficient LED bulbs. Ensure that the minimum distance to the illuminated surface is not less than 0.5m (50cm).
- When changing a bulb, always switch off at the mains and allow the bulb to cool before handling. Dispose of used bulbs carefully. Do not exceed the wattage stated or use a different shape bulb from that indicated on the fitting. Use of the incorrect bulb will damage the product and invalidate the guarantee.



## Technical data

Supply Voltage: 220-240 V~, 50 Hz | Bulb Type: 2 x Max. 7W LED GU10 (required)



Conformity with all relevant UKCA Directive requirements.

Conformity with all relevant EC Directive requirements.



The power supply is Double Insulated and does not require connection to an Earth circuit.



Waste electrical products should not be disposed of with household waste. Please recycle where facilities exist. Check with your Local Authority or local store for recycling advice.



This product is suitable for dimming.



This product is rated at IP44.



This product is rated at IK05.

## Care and Safety

We recommend cleaning with a soft dry cloth. Do not use solvents or abrasive cleaners as these could damage the finish. For your safety, always switch off the power supply before changing lightbulbs, or cleaning.

Instruction manual


# ICARUS 2LT WALL

81009



Thank you for purchasing this light fitting. Please read the instructions carefully before use to ensure safe and satisfactory operation of this product. Please retain these instructions for future reference.

## Warning

 This light fitting is double insulated and does not require connection to an Earth circuit.

Please read these instructions carefully before commencing any work.

This unit must be fitted by a competent and qualified electrician.

Install in accordance with the IEE Wiring regulations and current Building Regulations.

Check the pack and make sure you have all the parts listed.

To prevent electrocution switch off at the mains supply before installing or maintaining this fitting. Ensure other persons cannot restore the electrical supply without your knowledge.

If you are in any doubt, please consult a qualified electrician.

If replacing an existing fitting, make a careful note of the connections.

This light should be connected to a circuit with a 30mA RCD fitted.

This product is suitable for location in or near a marine environment.

The entire unit gets hot whilst on for a period of time, ensure the fitting is mounted out of arms reach.

Waste electrical products should not be disposed of with household waste. Please recycle where facilities exist. Check with your local authority or retailer for recycling advice.

## Layout

Plan the desired layout of these fittings carefully, ensuring the cables will reach the distances between the junction box and the each light fitting.

Avoid locating any cables in positions that would cause a hazard. Position cables and outdoor rated junction boxes (not supplied) away from areas where they may be at risk from being cut, trapped or damaged.

We recommend that you use H05RN-F specification cable (not supplied) which is an outdoor grade, rubber sheathed cable.

The mains supply cable must have a minimum cross section area of 1.0mm<sup>2</sup>.

Cables must be protected using suitable conduit or plastic trunking.

## Installation

Existing fittings must be completely removed before installation of a new product. Before removing the existing fitting, carefully note the position of each set of wires.

Note that the switch is turned off before installation.

Ensure that the screws and cable entry points are sealed to maintain the IP rating of the product.

After deciding the layout of the light fittings ensure that the cables are long enough to connect to desired positions.

- **Diagram A.** Determine the position of your light fitting taking into account the exit position of the cable. Ensure that the mounting surface is solid, preferably a brick or block wall and ensure that there are no other cables or pipes beneath the surface. Use appropriate fixings.
- Separate the plastic back plate from the fitting by removing the two domed nuts on the front of the fitting. Leave the threaded(1) bolts in the back plate. Use back plate as a template to mark the screw holes. Make sure the back plate is correctly aligned. Ensuring the **drain hole** is at the base of the mounting box.
- **Diagram B.** Use a sharp object such as a screwdriver to pierce the rubber grommet in the back plate. Feed the incoming cable (2) through the rubber grommet and attach the back plate to the wall. Do not over tighten as this could damage the back plate.
- Wire as detailed below.

Diagram A.

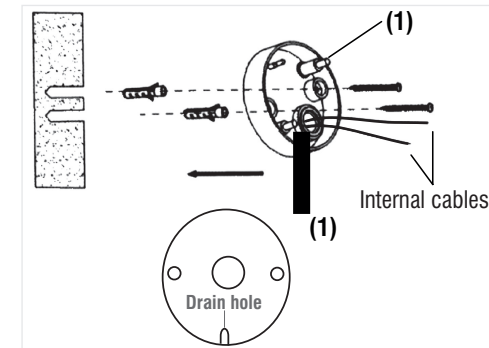
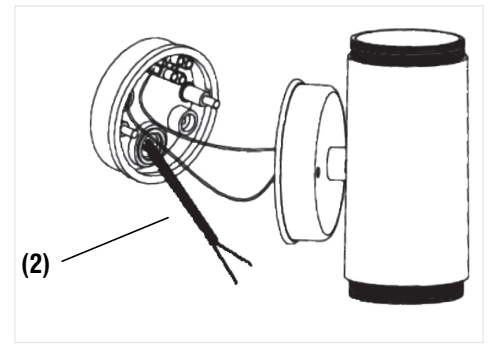
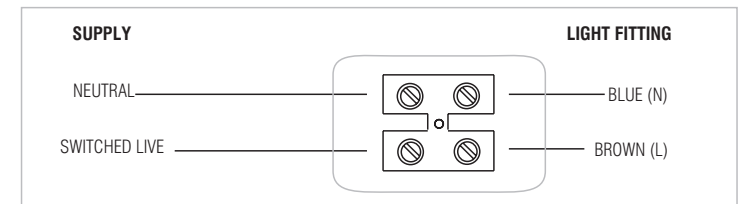


Diagram B.



## Wiring

Having correctly identified the wiring from your light fitting, connect to the approved outdoor rated external terminal block in the following way:



## Check that...

You have correctly identified the wires

The connections are tight

No loose strands have been left out of the connection block

Reseal the approved outdoor rated external terminal block